

The New **Drizzle™** series of spray balls are further improved from their previous generation offering a good rinse at an economical value. The robust double ball-bearing stainless steel construction & optimized slot design ensures a good rinse on the equipment wall. Available in various sizes, flow rates & connection options, this series of spray ball is our most versatile product for a variety of equipment.



Cleaning Efficiency **Class 2**



Technical Data

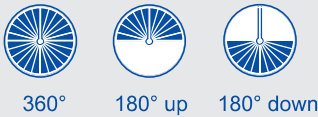
Materials

Stainless steel 316L.

Pressure

Design pressure: 1 - 3 bar
Recommended pressure: 2 bar

Spray pattern



Design

Self-lubricating with cleaning liquid.

Surface finish (Standard)

Exterior: Ra 0.6 µm
Interior: Ra 0.8 µm

Surface finish (Electo-polished)

Exterior: Ra 0.5 µm
Interior: Ra 0.5 µm

Installation

Functions effectively in every position.

Bearing

Double ball bearing made of stainless steel 316L.

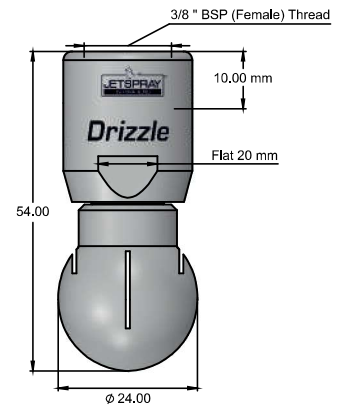
Filtration

Line strainer with a mesh size of 100 µm/ 0.1 mm.

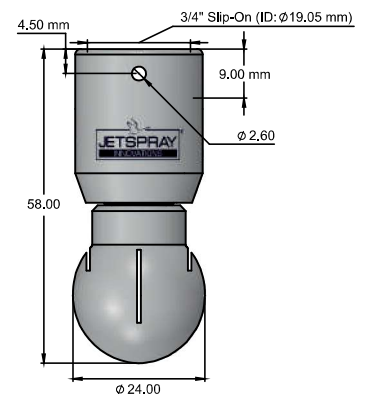
Temperature

Max. working temperature: 95°C
Max. ambient temperature: 140°C

Spray Angle	Ordering Code	Flow [l/min] @ Pressure [Bar]			Connection	Spray Ø (m)
		1	2	3		
360°	6003.36.01.SS.38	11	15	19	3/8" BSP Thread	1.0
	6003.36.02.SS.38	13	19	23	3/8" BSP Thread	1.1
	6003.36.03.SS.38	21	29	36	3/8" BSP Thread	1.3
	6003.36.04.SS.38	28	39	48	3/8" BSP Thread	1.5
	6003.36.05.SS.38	35	49	60	3/8" BSP Thread	1.5
180° Up	6003.18U.01.SS.38	11	15	19	3/8" BSP Thread	1.0
	6003.18U.02.SS.38	13	19	23	3/8" BSP Thread	1.1
	6003.18U.03.SS.38	21	29	36	3/8" BSP Thread	1.3
	6003.18U.04.SS.38	28	39	48	3/8" BSP Thread	1.5
180° Dn	6003.18D.01.SS.38	21	29	36	3/8" BSP Thread	1.3
	6003.18D.02.SS.38	28	39	48	3/8" BSP Thread	1.5



Spray Angle	Ordering Code	Flow [l/min] @ Pressure [Bar]			Connection	Spray Ø (m)
		1	2	3		
360°	6003.36.01.SS.190	11	15	19	3/4" Slip-On	1.0
	6003.36.02.SS.190	13	19	23	3/4" Slip-On	1.1
	6003.36.03.SS.190	21	29	36	3/4" Slip-On	1.3
	6003.36.04.SS.190	28	39	48	3/4" Slip-On	1.5
	6003.36.05.SS.190	35	49	60	3/4" Slip-On	1.5
180° Up	6003.18U.01.SS.190	11	15	19	3/4" Slip-On	1.0
	6003.18U.02.SS.190	13	19	23	3/4" Slip-On	1.1
	6003.18U.03.SS.190	21	29	36	3/4" Slip-On	1.3
	6003.18U.04.SS.190	28	39	48	3/4" Slip-On	1.5
180° Dn	6003.18D.03.SS.190	21	29	36	3/4" Slip-On	1.3
	6003.18D.04.SS.190	28	39	48	3/4" Slip-On	1.5



Pin of stainless steel 316L supplied as standard with slip-on models.