

The New **Drizzle™** series of spray balls are further improved from their previous generation offering a good rinse at an economical value. The robust double ball-bearing stainless steel construction & optimized slot design ensures a good rinse on the equipment wall. Available in various sizes, flow rates & connection options, this series of spray ball is our most versatile product for a variety of equipment.



Cleaning Efficiency **Class 2**



### Technical Data

#### Materials

Stainless steel 316L.

#### Pressure

Design pressure: 1 - 3 bar  
Recommended pressure: 2 bar

#### Spray pattern



360°



180° up



180° down

#### Design

Self-lubricating with cleaning liquid.

#### Surface finish (Standard)

Exterior: Ra 0.6 µm  
Interior: Ra 0.8 µm

#### Surface finish (Electro-polished)

Exterior: Ra 0.5 µm  
Interior: Ra 0.5 µm

#### Installation

Functions effectively in every position.

#### Bearing

Double ball bearing made of stainless steel 316L.

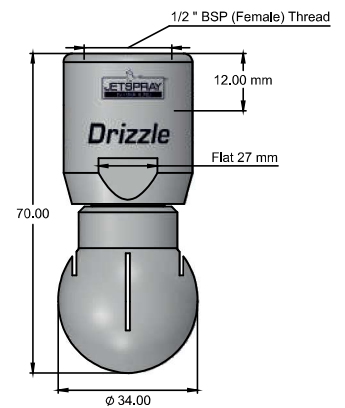
#### Filtration

Line strainer with a mesh size of 100 µm/ 0.1 mm.

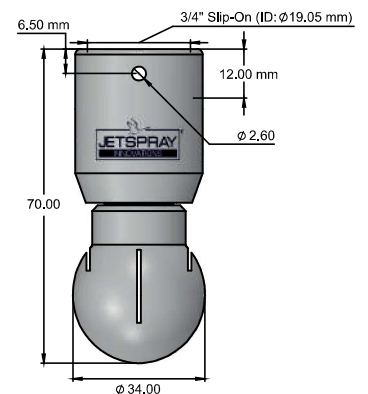
#### Temperature

Max. working temperature: 95°C  
Max. ambient temperature: 140°C

Spray Angle	Ordering Code	Flow [l/min] @ Pressure [Bar]			Connection	Spray Ø (m)
		1	2	3		
360°	6004.36.01.SS.12	21	29	36	1/2" BSP Thread	1.4
	6004.36.02.SS.12	28	39	48	1/2" BSP Thread	1.5
	6004.36.03.SS.12	35	49	60	1/2" BSP Thread	1.8
	6004.36.04.SS.12	42	59	73	1/2" BSP Thread	1.8
180° Up	6004.18U.01.SS.12	21	29	36	1/2" BSP Thread	1.4
	6004.18U.02.SS.12	28	39	48	1/2" BSP Thread	1.5
	6004.18U.03.SS.12	35	49	60	1/2" BSP Thread	1.7
	6004.18U.04.SS.12	42	59	73	1/2" BSP Thread	1.7
180° Dn	6004.18D.01.SS.12	35	49	60	1/2" BSP Thread	1.7
	6004.18D.02.SS.12	42	59	73	1/2" BSP Thread	1.7






Spray Angle	Ordering Code	Flow [l/min] @ Pressure [Bar]			Connection	Spray Ø (m)
		1	2	3		
360°	6004.36.01.SS.190	21	29	36	3/4" Slip-On	1.4
	6004.36.02.SS.190	28	39	48	3/4" Slip-On	1.5
	6004.36.03.SS.190	35	49	60	3/4" Slip-On	1.8
	6004.36.04.SS.190	42	59	73	3/4" Slip-On	1.8
180° Up	6004.18U.01.SS.190	21	29	36	3/4" Slip-On	1.4
	6004.18U.02.SS.190	28	39	48	3/4" Slip-On	1.5
	6004.18U.03.SS.190	35	49	60	3/4" Slip-On	1.7
	6004.18U.04.SS.190	42	59	73	3/4" Slip-On	1.7
180° Dn	6004.18D.01.SS.190	35	49	60	3/4" Slip-On	1.7
	6004.18D.02.SS.190	42	59	73	3/4" Slip-On	1.7



Pin of stainless steel 316L supplied as standard with slip-on models.

# Drizzle™

Rotating Spray Ball  
Series 6004

Spray Angle	Ordering Code	Flow [l/min] @ Pressure [Bar]			Connection	Spray Ø (m)
		1	2	3		
360° 	6004.36.01.SS.254	21	29	36	1" Slip-On	1.4
	6004.36.02.SS.254	28	39	48	1" Slip-On	1.5
	6004.36.03.SS.254	35	49	60	1" Slip-On	1.8
	6004.36.04.SS.254	42	59	73	1" Slip-On	1.8
180° Up 	6004.18U.01.SS.254	21	29	36	1" Slip-On	1.4
	6004.18U.02.SS.254	28	39	48	1" Slip-On	1.5
	6004.18U.03.SS.254	35	49	60	1" Slip-On	1.7
	6004.18U.04.SS.254	42	59	73	1" Slip-On	1.7
180° Dn 	6004.18D.01.SS.254	35	49	60	1" Slip-On	1.7
	6004.18D.02.SS.254	42	59	73	1" Slip-On	1.7

Pin of stainless steel 316L supplied as standard with slip-on models.

