

# Drizzle™

## Rotating Spray Ball

### Series 6005

The New **Drizzle™** series of spray balls are further improved from their previous generation offering a good rinse at an economical value. The robust double ball-bearing stainless steel construction & optimized slot design ensures a good rinse on the equipment wall. Available in various sizes, flow rates & connection options, this series of spray ball is our most versatile product for a variety of equipment.



Cleaning Efficiency **Class 2**



#### Technical Data

##### Materials

Stainless steel 316L.

##### Pressure

Design pressure: 1 - 3 bar  
Recommended pressure: 2 bar

##### Spray pattern



360°



180° up



180° down

##### Design

Self-lubricating with cleaning liquid.

##### Surface finish (Standard)

Exterior: Ra 0.6 µm  
Interior: Ra 0.8 µm

##### Surface finish (Electo-polished)

Exterior: Ra 0.5 µm  
Interior: Ra 0.5 µm

##### Installation

Functions effectively in every position.

##### Bearing

Double ball bearing made of stainless steel 316L.

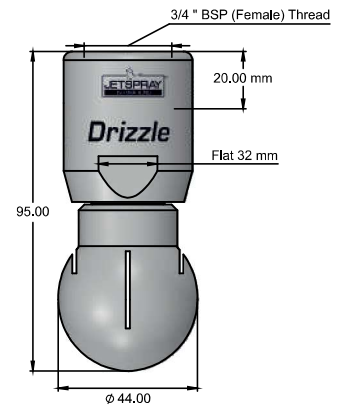
##### Filtration

Line strainer with a mesh size of 100 µm/ 0.1 mm.

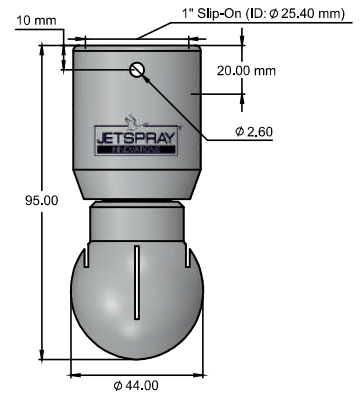
##### Temperature

Max. working temperature: 95°C  
Max. ambient temperature: 140°C

Spray Angle	Ordering Code	Flow [l/min] @ Pressure [Bar]			Connection	Spray Ø (m)
		1	2	3		
360°	6005.36.01.SS.34	35	49	60	3/4" BSP Thread	2.1
	6005.36.02.SS.34	42	59	73	3/4" BSP Thread	2.1
	6005.36.03.SS.34	49	69	85	3/4" BSP Thread	2.3
	6005.36.04.SS.34	56	79	97	3/4" BSP Thread	2.5
	6005.36.05.SS.34	63	89	110	3/4" BSP Thread	2.5
	6005.36.06.SS.34	70	99	122	3/4" BSP Thread	2.6
	6005.36.07.SS.34	77	109	135	3/4" BSP Thread	2.6
	6005.36.08.SS.34	84	119	147	3/4" BSP Thread	2.6
	6005.36.09.SS.34	91	129	159	3/4" BSP Thread	2.7
	6005.36.10.SS.34	99	139	172	3/4" BSP Thread	2.7
6005.36.11.SS.34	106	149	184	3/4" BSP Thread	2.7	
180° Up	6005.18U.01.SS.34	35	49	60	3/4" BSP Thread	2.1
	6005.18U.02.SS.34	42	59	73	3/4" BSP Thread	2.1
	6005.18U.03.SS.34	49	69	85	3/4" BSP Thread	2.3
	6005.18U.04.SS.34	56	79	97	3/4" BSP Thread	2.5
	6005.18U.05.SS.34	63	89	110	3/4" BSP Thread	2.5
	6005.18U.06.SS.34	70	99	122	3/4" BSP Thread	2.6
180° Dn	6005.18D.01.SS.34	35	49	60	3/4" BSP Thread	2.1
	6005.18D.02.SS.34	42	59	73	3/4" BSP Thread	2.1
	6005.18D.03.SS.34	49	69	85	3/4" BSP Thread	2.3
	6005.18D.04.SS.34	56	79	97	3/4" BSP Thread	2.5
	6005.18D.05.SS.34	63	89	110	3/4" BSP Thread	2.5
	6005.18D.06.SS.34	70	99	122	3/4" BSP Thread	2.6



Spray Angle	Ordering Code	Flow [l/min] @ Pressure [Bar]			Connection	Spray Ø (m)
		1	2	3		
360°	6005.36.01.SS.254	35	49	60	1" Slip-On	2.1
	6005.36.02.SS.254	42	59	73	1" Slip-On	2.1
	6005.36.03.SS.254	49	69	85	1" Slip-On	2.3
	6005.36.04.SS.254	56	79	97	1" Slip-On	2.5
	6005.36.05.SS.254	63	89	110	1" Slip-On	2.5
	6005.36.06.SS.254	70	99	122	1" Slip-On	2.6
	6005.36.07.SS.254	77	109	135	1" Slip-On	2.6
	6005.36.08.SS.254	84	119	147	1" Slip-On	2.6
	6005.36.09.SS.254	91	129	159	1" Slip-On	2.7
6005.36.10.SS.254	99	139	172	1" Slip-On	2.7	
6005.36.11.SS.254	106	149	184	1" Slip-On	2.7	
180° Up	6005.18U.01.SS.254	35	49	60	1" Slip-On	2.1
	6005.18U.02.SS.254	42	59	73	1" Slip-On	2.1
	6005.18U.03.SS.254	49	69	85	1" Slip-On	2.3
	6005.18U.04.SS.254	56	79	97	1" Slip-On	2.5
	6005.18U.05.SS.254	63	89	110	1" Slip-On	2.5
	6005.18U.06.SS.254	70	99	122	1" Slip-On	2.6
180° Dn	6005.18D.01.SS.254	35	49	60	1" Slip-On	2.1
	6005.18D.02.SS.254	42	59	73	1" Slip-On	2.1
	6005.18D.03.SS.254	49	69	85	1" Slip-On	2.3
	6005.18D.04.SS.254	56	79	97	1" Slip-On	2.5
	6005.18D.05.SS.254	63	89	110	1" Slip-On	2.5
	6005.18D.06.SS.254	70	99	122	1" Slip-On	2.6



Pin of stainless steel 316L supplied as standard with slip-on models.

Spray Angle	Ordering Code	Flow [l/min] @ Pressure [Bar]			Connection	Spray Ø (m)
		1	2	3		
360°	6005.36.01.SS.1B	35	49	60	1" BSP Thread	2.1
	6005.36.02.SS.1B	42	59	73	1" BSP Thread	2.1
	6005.36.03.SS.1B	49	69	85	1" BSP Thread	2.3
	6005.36.04.SS.1B	56	79	97	1" BSP Thread	2.5
	6005.36.05.SS.1B	63	89	110	1" BSP Thread	2.5
	6005.36.06.SS.1B	70	99	122	1" BSP Thread	2.6
	6005.36.07.SS.1B	77	109	135	1" BSP Thread	2.6
	6005.36.08.SS.1B	84	119	147	1" BSP Thread	2.6
	6005.36.09.SS.1B	91	129	159	1" BSP Thread	2.7
	6005.36.10.SS.1B	99	139	172	1" BSP Thread	2.7
	6005.36.11.SS.1B	106	149	184	1" BSP Thread	2.7
180° Up	6005.18U.01.SS.1B	35	49	60	1" BSP Thread	2.1
	6005.18U.02.SS.1B	42	59	73	1" BSP Thread	2.1
	6005.18U.03.SS.1B	49	69	85	1" BSP Thread	2.3
	6005.18U.04.SS.1B	56	79	97	1" BSP Thread	2.5
	6005.18U.05.SS.1B	63	89	110	1" BSP Thread	2.5
	6005.18U.06.SS.1B	70	99	122	1" BSP Thread	2.6
180° Dn	6005.18D.01.SS.1B	35	49	60	1" BSP Thread	2.1
	6005.18D.02.SS.1B	42	59	73	1" BSP Thread	2.1
	6005.18D.03.SS.1B	49	69	85	1" BSP Thread	2.3
	6005.18D.04.SS.1B	56	79	97	1" BSP Thread	2.5
	6005.18D.05.SS.1B	63	89	110	1" BSP Thread	2.5
	6005.18D.06.SS.1B	70	99	122	1" BSP Thread	2.6

