

The New **Drizzle™** series of spray balls are further improved from their previous generation offering a good rinse at an economical value. The robust double ball-bearing stainless steel construction & optimized slot design ensures a good rinse on the equipment wall. Available in various sizes, flow rates & connection options, this series of spray ball is our most versatile product for a variety of equipment.



Cleaning Efficiency **Class 2**



Technical Data

Materials

Stainless steel 316L.

Pressure

Design pressure: 1 - 3 bar
Recommended pressure: 2 bar

Spray pattern



360°



180° up



180° down

Design

Self-lubricating with cleaning liquid.

Surface finish (Standard)

Exterior: Ra 0.6 µm
Interior: Ra 0.8 µm

Surface finish (Electo-polished)

Exterior: Ra 0.5 µm
Interior: Ra 0.5 µm

Installation

Functions effectively in every position.

Bearing

Double ball bearing made of stainless steel 316L.

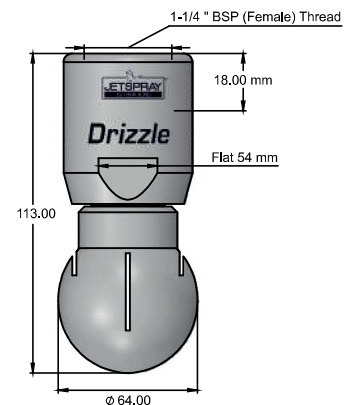
Filtration

Line strainer with a mesh size of 100 µm/ 0.1 mm.

Temperature

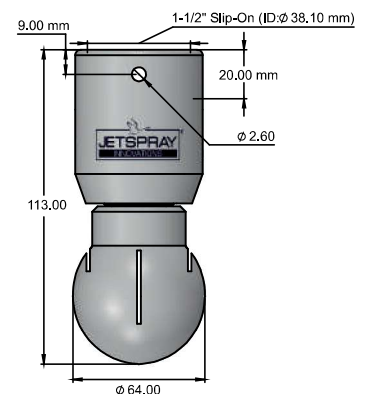
Max. working temperature: 95°C
Max. ambient temperature: 140°C



Spray Angle	Ordering Code	Flow [l/min] @ Pressure [Bar]			Connection	Spray Ø (m)
		1	2	3		
360°	6006.36.01.SS.114	91	129	159	1-1/4" BSP Thread	3.0
	6006.36.02.SS.114	99	139	172	1-1/4" BSP Thread	3.0
	6006.36.03.SS.114	106	149	184	1-1/4" BSP Thread	3.1
	6006.36.04.SS.114	113	159	196	1-1/4" BSP Thread	3.2
	6006.36.05.SS.114	120	169	209	1-1/4" BSP Thread	3.4
	6006.36.06.SS.114	127	179	221	1-1/4" BSP Thread	3.5
	6006.36.07.SS.114	134	189	233	1-1/4" BSP Thread	3.5
	6006.36.08.SS.114	141	199	244	1-1/4" BSP Thread	3.6
180° Up	6006.18U.01.SS.114	91	129	159	1-1/4" BSP Thread	2.7
	6006.18U.02.SS.114	99	139	172	1-1/4" BSP Thread	2.7
	6006.18U.03.SS.114	106	149	184	1-1/4" BSP Thread	2.8
180° Dn	6006.18D.01.SS.114	91	129	159	1-1/4" BSP Thread	2.7
	6006.18D.02.SS.114	99	139	172	1-1/4" BSP Thread	2.7
	6006.18D.03.SS.114	106	149	184	1-1/4" BSP Thread	2.8



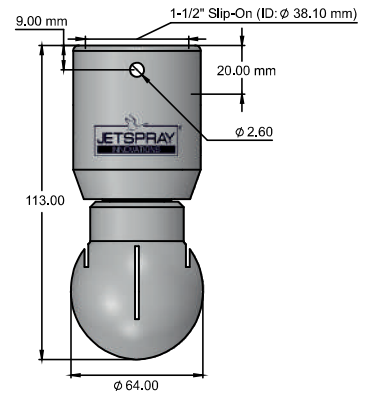
Spray Angle	Ordering Code	Flow [l/min] @ Pressure [Bar]			Connection	Spray Ø (m)
		1	2	3		
360°	6006.36.01.SS.381	91	129	159	1-1/2" Slip-On	3.0
	6006.36.02.SS.381	99	139	172	1-1/2" Slip-On	3.0
	6006.36.03.SS.381	106	149	184	1-1/2" Slip-On	3.1
	6006.36.04.SS.381	113	159	196	1-1/2" Slip-On	3.2
	6006.36.05.SS.381	120	169	209	1-1/2" Slip-On	3.4
	6006.36.06.SS.381	127	179	221	1-1/2" Slip-On	3.5
	6006.36.07.SS.381	134	189	233	1-1/2" Slip-On	3.5
	6006.36.08.SS.381	141	199	244	1-1/2" Slip-On	3.6




Pin of stainless steel 316L supplied as standard with slip-on models.



Spray Angle	Ordering Code	Flow [l/min] @ Pressure [Bar]			Connection	Spray Ø (m)
		1	2	3		
180° Up 	6006.18U.01.SS.381	91	129	159	1-1/2" Slip-On	2.7
	6006.18U.02.SS.381	99	139	172	1-1/2" Slip-On	2.7
	6006.18U.03.SS.381	106	149	184	1-1/2" Slip-On	2.8
180° Dn 	6006.18D.01.SS.381	91	129	159	1-1/2" Slip-On	2.7
	6006.18D.02.SS.381	99	139	172	1-1/2" Slip-On	2.7
	6006.18D.03.SS.381	106	149	184	1-1/2" Slip-On	2.8

Pin of stainless steel 316L supplied as standard with slip-on models.



Spray Angle	Ordering Code	Flow [l/min] @ Pressure [Bar]			Connection	Spray Ø (m)
		1	2	3		
360° 	6006.36.01.SS.112	91	129	159	1-1/2" BSP Thread	2.7
	6006.36.02.SS.112	99	139	172	1-1/2" BSP Thread	2.7
	6006.36.03.SS.112	106	149	184	1-1/2" BSP Thread	2.8
	6006.36.04.SS.112	113	159	196	1-1/2" BSP Thread	2.8
	6006.36.05.SS.112	120	169	209	1-1/2" BSP Thread	3.0
	6006.36.06.SS.112	127	179	221	1-1/2" BSP Thread	3.0
	6006.36.07.SS.112	134	189	233	1-1/2" BSP Thread	3.1
	6006.36.08.SS.112	141	199	244	1-1/2" BSP Thread	3.1
180° Up 	6006.18U.01.SS.112	91	129	159	1-1/2" BSP Thread	2.7
	6006.18U.02.SS.112	99	139	172	1-1/2" BSP Thread	2.7
	6006.18U.03.SS.112	106	149	184	1-1/2" BSP Thread	2.8
180° Dn 	6006.18D.01.SS.112	91	129	159	1-1/2" BSP Thread	2.7
	6006.18D.02.SS.112	99	139	172	1-1/2" BSP Thread	2.7
	6006.18D.03.SS.112	106	149	184	1-1/2" BSP Thread	2.8

