

The New **Drizzle™** Series of Spray Balls are further improved from their previous generation offering a good rinse at an economical value. The use of imported materials has enabled us to further improve the functional strength & performance of these spray balls & the optimized slot design ensures a good rinse on the equipment wall. The Hastelloy rings enable our High Temperature Rotating Spray Ball to function well in an extended temperature range over the standard PTFE spray ball.



Cleaning Efficiency
Class 2

Technical Data

Materials

PTFE (Teflon) & Hastelloy C22 (Rings)

Pressure

Design pressure: 1 - 3 bar
Recommended pressure: 2 bar

Spray pattern



360°

Installation

Functions effectively in every position.

Bearing

Slide bearing made of PTFE + Hast. C22.

Design


Self-lubricating with cleaning liquid.

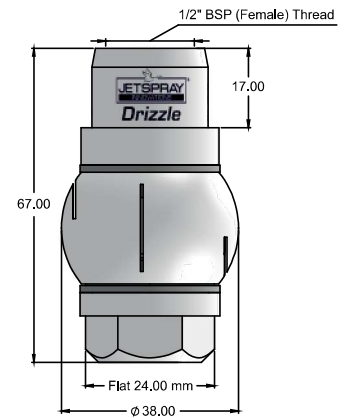
Filtration


Line strainer with a mesh size of 200 µm/ 0.2 mm.

Temperature

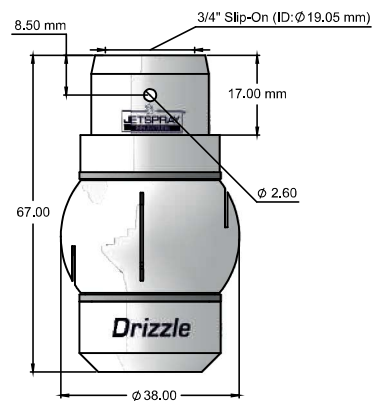
Max. temperature: 130°C


Spray Angle	Ordering Code	Flow [l/min] @ Pressure [Bar]			Connection	Spray Ø (m)
		1	2	3		
360° 	6008.36.01.PT.12	28	39	48	1/2" BSP Thread	1.3
	6008.36.02.PT.12	35	49	60	1/2" BSP Thread	1.5
	6008.36.03.PT.12	42	59	73	1/2" BSP Thread	1.5
	6008.36.04.PT.12	49	69	85	1/2" BSP Thread	1.7

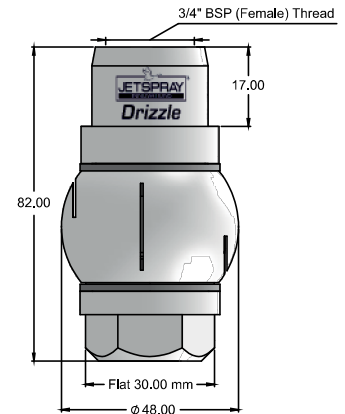



Spray Angle	Ordering Code	Flow [l/min] @ Pressure [Bar]			Connection	Spray Ø (m)
		1	2	3		
360° 	6008.36.01.PT.190	28	39	48	3/4" Slip-On	1.3
	6008.36.02.PT.190	35	49	60	3/4" Slip-On	1.5
	6008.36.03.PT.190	42	59	73	3/4" Slip-On	1.5
	6008.36.04.PT.190	49	69	85	3/4" Slip-On	1.7

Pin of Hastelloy C-276 supplied as standard with slip-on models.

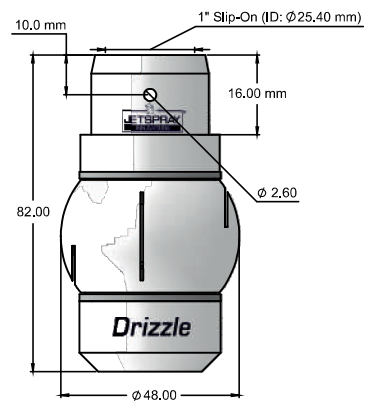



Spray Angle	Ordering Code	Flow [l/min] @ Pressure [Bar]			Connection	Spray Ø (m)
		1	2	3		
360° 	6008.36.01.PT.34	35	49	60	3/4" BSP Thread	1.9
	6008.36.02.PT.34	42	59	73	3/4" BSP Thread	2.1
	6008.36.03.PT.34	49	69	85	3/4" BSP Thread	2.3
	6008.36.04.PT.34	56	79	97	3/4" BSP Thread	2.3
	6008.36.05.PT.34	63	89	110	3/4" BSP Thread	2.5
	6008.36.06.PT.34	70	99	122	3/4" BSP Thread	2.6
	6008.36.07.PT.34	77	109	135	3/4" BSP Thread	2.6

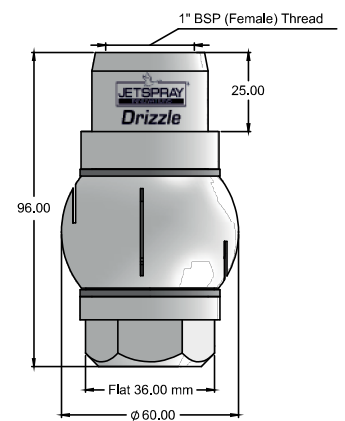



Spray Angle	Ordering Code	Flow [l/min] @ Pressure [Bar]			Connection	Spray Ø (m)
		1	2	3		
360° 	6008.36.01.PT.254	35	49	60	1" Slip-On	1.9
	6008.36.02.PT.254	42	59	73	1" Slip-On	2.1
	6008.36.03.PT.254	49	69	85	1" Slip-On	2.3
	6008.36.04.PT.254	56	79	97	1" Slip-On	2.3
	6008.36.05.PT.254	63	89	110	1" Slip-On	2.5
	6008.36.06.PT.254	70	99	122	1" Slip-On	2.6
	6008.36.07.PT.254	77	109	135	1" Slip-On	2.6

Pin of Hastelloy C-276 supplied as standard with slip-on models.



Spray Angle	Ordering Code	Flow [l/min] @ Pressure [Bar]			Connection	Spray Ø (m)
		1	2	3		
360° 	6008.36.01.PT.1B	49	69	85	1" BSP Thread	2.4
	6008.36.02.PT.1B	56	79	97	1" BSP Thread	2.4
	6008.36.03.PT.1B	63	89	110	1" BSP Thread	2.6
	6008.36.04.PT.1B	70	99	122	1" BSP Thread	2.6
	6008.36.05.PT.1B	77	109	135	1" BSP Thread	2.6
	6008.36.06.PT.1B	84	119	147	1" BSP Thread	2.7
	6008.36.07.PT.1B	91	129	159	1" BSP Thread	2.8
	6008.36.08.PT.1B	99	139	172	1" BSP Thread	2.9
	6008.36.09.PT.1B	106	149	184	1" BSP Thread	2.9



Spray Angle	Ordering Code	Flow [l/min] @ Pressure [Bar]			Connection	Spray Ø (m)
		1	2	3		
360° 	6008.36.01.PT.255	49	69	85	1" Slip-On	2.4
	6008.36.02.PT.255	56	79	97	1" Slip-On	2.4
	6008.36.03.PT.255	63	89	110	1" Slip-On	2.6
	6008.36.04.PT.255	70	99	122	1" Slip-On	2.6
	6008.36.05.PT.255	77	109	135	1" Slip-On	2.6
	6008.36.06.PT.255	84	119	147	1" Slip-On	2.7
	6008.36.07.PT.255	91	129	159	1" Slip-On	2.8
	6008.36.08.PT.255	99	139	172	1" Slip-On	2.9
	6008.36.09.PT.255	106	149	184	1" Slip-On	2.9

Pin of Hastelloy C-276 supplied as standard with slip-on models.

