

The New **Plus<sup>+</sup>** series of Spray Balls employ slide bearings to generate thrust & form a good sweep pattern at low inlet pressure. The sweep pattern & optimized slot design ensures more dwell time on the equipment wall thereby eliminating contaminants adhering to the tank wall. Available in various sizes, flow rates & connection options, this series is our most efficient product for a variety of equipment.



Cleaning Efficiency **Class 3**



### Technical Data

#### Materials

Stainless steel 316L & PTFE.

#### Pressure

Design pressure: 1 - 3 bar  
Recommended pressure: 2 bar

#### Spray pattern



360°

#### Design

Self-lubricating with cleaning liquid.

#### Surface finish (Standard)

Exterior: Ra 0.6 µm  
Interior: Ra 0.8 µm

#### Surface finish (Electro-polished)

Exterior: Ra 0.5 µm  
Interior: Ra 0.5 µm

#### Installation

Functions effectively in every position.

#### Bearing

Slide bearing made of SS 316L + PTFE.

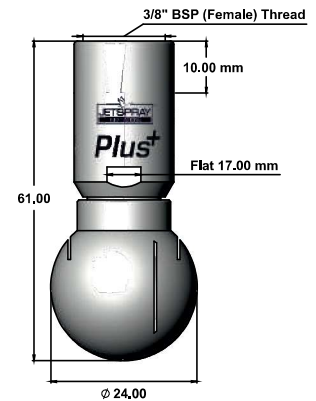
#### Filtration

Line strainer with a mesh size of 100 µm/ 0.1 mm.

#### Temperature

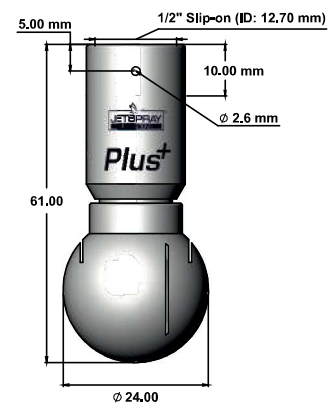
Max. working temperature: 95°C  
Max. ambient temperature: 140°C

Spray Angle	Ordering Code	Flow [l/min] @ Pressure [Bar]			Connection	Spray Ø (m)
		1	2	3		
360°	6011.36.01.SS.38	27	39	48	3/8" BSP Thread	1.5

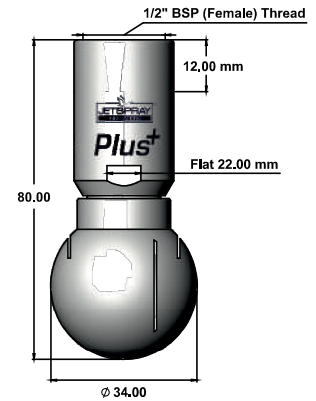


Spray Angle	Ordering Code	Flow [l/min] @ Pressure [Bar]			Connection	Spray Ø (m)
		1	2	3		
360°	6011.36.01.SS.127	27	39	48	1/2" Slip-On	1.5

Pin of stainless steel 316L supplied as standard with slip-on models.

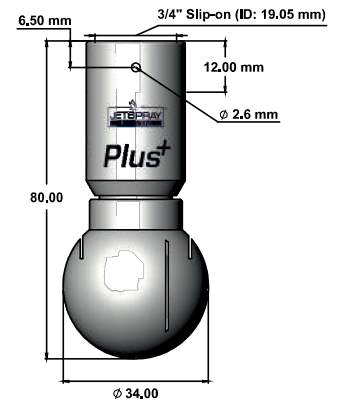


Spray Angle	Ordering Code	Flow [l/min] @ Pressure [Bar]			Connection	Spray Ø (m)
		1	2	3		
360°	6011.36.01.SS.12	27	39	48	1/2" BSP Thread	1.8

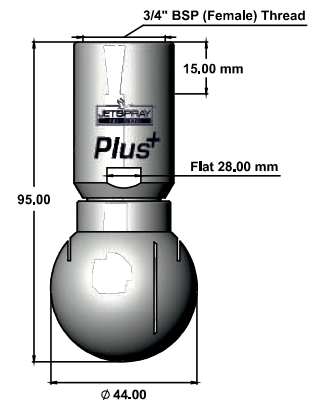


Spray Angle	Ordering Code	Flow [l/min] @ Pressure [Bar]			Connection	Spray Ø (m)
		1	2	3		
360°	6011.36.01.SS.190	27	39	48	3/4" Slip-On	1.8

Pin of stainless steel 316L supplied as standard with slip-on models.

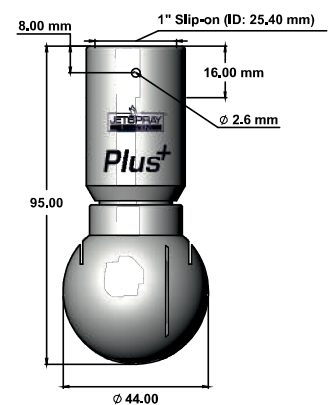


Spray Angle	Ordering Code	Flow [l/min] @ Pressure [Bar]			Connection	Spray Ø (m)
		1	2	3		
360°	6011.36.01.SS.34	49	69	85	3/4" BSP Thread	2.3
	6011.36.02.SS.34	56	79	97	3/4" BSP Thread	2.3
	6011.36.03.SS.34	63	89	110	3/4" BSP Thread	2.5
	6011.36.04.SS.34	70	99	122	3/4" BSP Thread	2.6
	6011.36.05.SS.34	77	109	135	3/4" BSP Thread	2.7

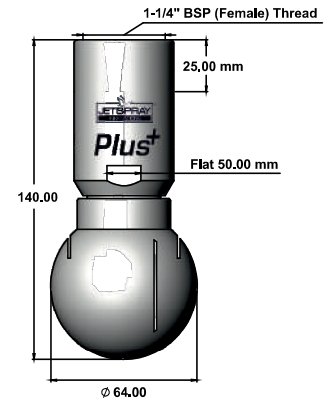


Spray Angle	Ordering Code	Flow [l/min] @ Pressure [Bar]			Connection	Spray Ø (m)
		1	2	3		
360°	6011.36.01.SS.254	49	69	85	1" Slip-On	2.3
	6011.36.02.SS.254	56	79	97	1" Slip-On	2.3
	6011.36.03.SS.254	63	89	110	1" Slip-On	2.5
	6011.36.04.SS.254	70	99	122	1" Slip-On	2.6
	6011.36.05.SS.254	77	109	135	1" Slip-On	2.7

Pin of stainless steel 316L supplied as standard with slip-on models.



Spray Angle	Ordering Code	Flow [l/min] @ Pressure [Bar]			Connection	Spray Ø (m)
		1	2	3		
360°	6011.36.01.SS.114	99	140	172	1-1/4" BSP Thread	3.0



Spray Angle	Ordering Code	Flow [l/min] @ Pressure [Bar]			Connection	Spray Ø (m)
		1	2	3		
360°	6011.36.01.SS.190	99	140	172	1-1/2" Slip-On	3.0

Pin of stainless steel 316L supplied as standard with slip-on models.

