

The New **Storm™** Storm Series of Spray Balls employ Turbine-Drive Mechanism to generate thrust & form a good sweep pattern at an increased inlet pressure. The sweep curtain is highly effective & the optimized slot design ensures more dwell time on the equipment wall thereby eliminating contaminants adhering to the tank wall. This series is our most effective product for a variety of equipment.



Cleaning Efficiency

Class
4

ATEX Certification



Technical Data

Materials

Stainless steel 316L, PTFE.

Pressure

Design pressure: 15 bar
Recommended pressure: 5 - 8 bar

Spray pattern



360°

Design

Self-lubricating with cleaning liquid.

Surface finish (Standard)

Exterior: Ra 0.6 µm
Interior: Ra 0.8 µm

Surface finish (Electo-polished)

Exterior: Ra 0.5 µm
Interior: Ra 0.5 µm

Installation

Functions effectively in every position.

Bearing


Slide bearing made of SS 316L + PTFE.

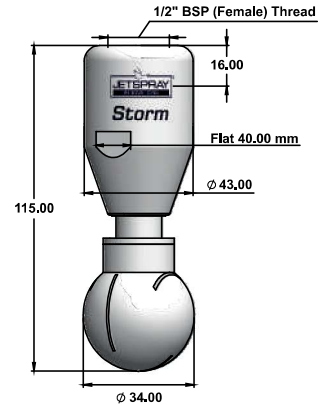
Filtration


Line strainer with a mesh size of 100 µm/ 0.1 mm.

Temperature

Max. working temperature: 95°C
Max. ambient temperature: 140°C

| Spray Angle | Ordering Code | Flow [l/min] @ Pressure [Bar] | | | Connection | Spray Ø (m) |
|--|------------------|-------------------------------|-----|-----|-----------------|-------------|
| | | 2 | 5 | 8 | | |
| 360°  | 6012.36.01.SS.12 | 29 | 46 | 58 | 1/2" BSP Thread | 2.4 |
| | 6012.36.02.SS.12 | 39 | 62 | 78 | 1/2" BSP Thread | 2.6 |
| | 6012.36.03.SS.12 | 49 | 77 | 98 | 1/2" BSP Thread | 2.8 |
| | 6012.36.04.SS.12 | 59 | 93 | 118 | 1/2" BSP Thread | 3.0 |
| | 6012.36.05.SS.12 | 69 | 109 | 138 | 1/2" BSP Thread | 3.2 |



| Spray Angle | Ordering Code | Flow [l/min] @ Pressure [Bar] | | | Connection | Spray Ø (m) |
|--|------------------|-------------------------------|-----|-----|-----------------|-------------|
| | | 2 | 5 | 8 | | |
| 360°  | 6012.36.01.SS.34 | 29 | 46 | 58 | 3/4" BSP Thread | 2.6 |
| | 6012.36.02.SS.34 | 39 | 62 | 78 | 3/4" BSP Thread | 2.8 |
| | 6012.36.03.SS.34 | 49 | 77 | 98 | 3/4" BSP Thread | 3.0 |
| | 6012.36.04.SS.34 | 59 | 93 | 118 | 3/4" BSP Thread | 3.1 |
| | 6012.36.05.SS.34 | 69 | 109 | 138 | 3/4" BSP Thread | 3.3 |

