

Drizzle™

Rotating Spray Ball - RN
Series 6009

The New **Drizzle-RN** Series of Spray Balls are specialized spray heads that remain flush to the equipment wall & pop out only during the cleaning cycle. The robust stainless steel construction & optimized slot design ensures a good rinse to the surrounding area around the head. These Retractable Spray Balls are generally customized as per the client's requirement.



Technical Data

Materials

Stainless steel 316L, PTFE, FGS.
Hastelloy C22, C276, PTFE, FFKM.

Pressure

Design pressure: 1 - 3 bar
Recommended pressure: 2 bar

Spray pattern



60°

Design

Self-lubricating with cleaning liquid.



Installation

Functions effectively in every position.

Bearing

Slide bearing.

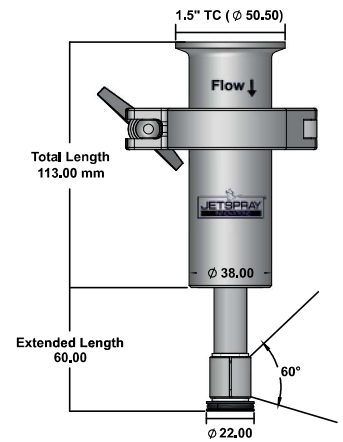
Filtration

Line strainer with a mesh size of 300 µm/ 0.3 mm.

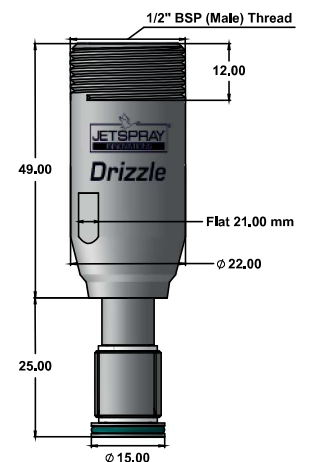
Temperature

Max. working temperature: 90°C
Max. ambient temperature: 140°C

Spray Angle	Ordering Code	Flow [l/min] @ Pressure [Bar]			Connection	Spray Ø (m)
		1	2	3		
60°	6009.60.01.SS.50TC	28	39	48	1-1/2" TC	1.0




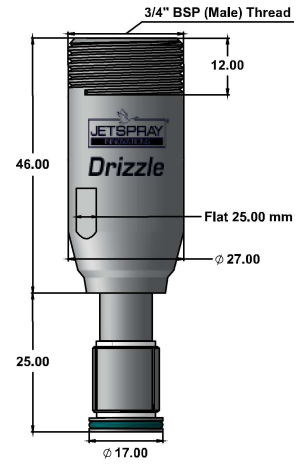
Spray Angle	Ordering Code	Flow [l/min] @ Pressure [Bar]			Connection	Spray Ø (m)
		1	2	3		
60°	6009.60.01.SS.12M	11	15	18	1/2" BSP Thread	1.0




Drizzle™

Rotating Spray Ball - RN
Series 6009

Spray Angle	Ordering Code	Flow [l/min] @ Pressure [Bar]			Connection	Spray Ø (m)
		1	2	3		
60° 	6009.60.01.SS.34M	11	15	18	3/4" BSP Thread	1.0



Spray Angle	Ordering Code	Flow [l/min] @ Pressure [Bar]			Connection	Spray Ø (m)
		1	2	3		
60° 	6009.60.01.SS.01M	28	39	48	1" BSP Thread	1.0

