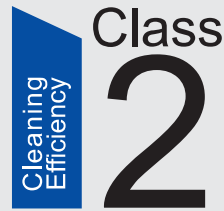


The New **Drizzle-HT** series spray balls are designed for high temperature applications. These spray balls rotate on thrust alone, generated by the special slot design. This simple but effective design allows the spray ball to function at an extended temperature range at low liquid inlet pressure.



Technical Data

Materials

Stainless steel 316L.
Hastelloy C22, C276

Pressure

Design pressure: 1 - 3 bar
Recommended pressure: 2 bar

Spray pattern



360°

Design

Self-lubricating with cleaning liquid.

Surface finish (Standard)

Exterior: Ra 0.6 µm
Interior: Ra 0.8 µm

Surface finish (Electo-polished)

Exterior: Ra 0.5 µm
Interior: Ra 0.5 µm

Installation

Functions effectively in every position.

Bearing

Slide bearing.

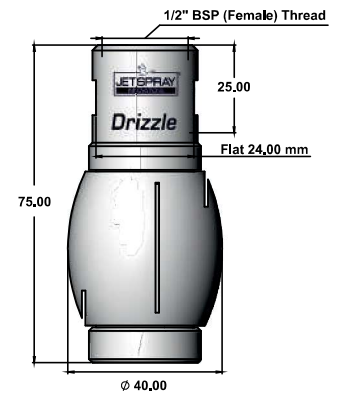
Filtration

Line strainer with a mesh size of 300 µm/ 0.3 mm.

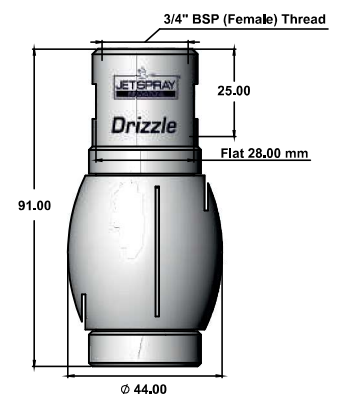
Temperature

Max. working temperature: 180°C
Max. ambient temperature: 250°C

Spray Angle	Ordering Code	Flow [l/min] @ Pressure [Bar]			Connection	Spray Ø (m)	Material
		1	2	3			
360°	6009.36.01.SS.12	35	49	60	1/2" BSP Thread	1.2	SS 316L
	6009.36.01.HC276.12	35	49	60	1/2" BSP Thread	1.2	Hast. C276
	6009.36.01.HC22.12	35	49	60	1/2" BSP Thread	1.2	Hast. C22




Spray Angle	Ordering Code	Flow [l/min] @ Pressure [Bar]			Connection	Spray Ø (m)	Material
		1	2	3			
360°	6009.36.01.SS.34	48	69	85	3/4" BSP Thread	1.2	SS 316L
	6009.36.01.HC276.34	48	69	85	3/4" BSP Thread	1.2	Hast. C276
	6009.36.01.HC22.34	48	69	85	3/4" BSP Thread	1.2	Hast. C22



Drizzle™

Rotating Spray Ball - HT
Series 6009

Spray Angle	Ordering Code	Flow [l/min] @ Pressure [Bar]			Connection	Spray Ø (m)	Material
		1	2	3			
360° 	6009.36.01.SS.1B	63	89	109	1" BSP Thread	1.5	SS 316L
	6009.36.01.HC276.1B	63	89	109	1" BSP Thread	1.5	Hast. C276
	6009.36.01.HC22.1B	63	89	109	1" BSP Thread	1.5	Hast. C22

